

BENTOSEAL®

TROWEL-GRADE SODIUM BENTONITE MASTIC

DESCRIPTION

BENTOSEAL® is trowel-grade, sodium bentonite/butyl-rubber based mastic designed for a variety of surface preparation and waterproof detailing work with select CETCO waterproofing membranes. BENTOSEAL® swells upon contact with water to seal against water intrusion. With the consistency of thick grease, BENTOSEAL® is easy to apply and bonds to most substrate materials.

APPLICATIONS

BENTOSEAL® is an below-ground waterproofing accessory product designed for the following uses:

- Fillet material at horizontal and vertical inside corners
- Flashing material around drains, mechanical and electrical penetrations, curbs and parapets
- Sealing material at waterproofing terminations below-ground
- Repair material for small concrete substrate surface defects prior to waterproofing membrane installation

BENTOSEAL® is formulated for use on structural concrete, masonry, and most metal surfaces. Do not use BENTOSEAL® on insulated foam concrete forming systems. Use in applications with proper confinement only. Backfill soils should be compacted to a 85% Modified Proctor density. BENTOSEAL® is not an expansion joint sealant.

INSTALLATION

Apply BENTOSEAL® at a 6 mm thickness unless otherwise noted on details or as directed by manufacturer. BENTOSEAL® may be applied where ambient and surface temperatures are -4°C or above. Store above 4°C before application.

All surfaces to receive BENTOSEAL® should be dry and free of dirt, dust, grease, rust, oil, curing agents or other contaminants. BENTOSEAL® can be applied to structural concrete surfaces as soon as the forms are removed. Fine hair broom or equivalent finish provides best adhesion and minimizes waste. Apply just prior to waterproofing membrane installation. BENTOSEAL® should not be left exposed for prolonged period prior to concrete or backfill placement.

Around penetrations, application should fill space between waterproofing membrane and the penetration. Fillet shall be a minimum 19 mm thick and be continuous around the penetration. Extend BENTOSEAL® onto penetration 38 mm at a 5 mm thickness. With a hydrostatic head of 10 m or greater, double all of the above application rates.

PACKAGING

BENTOSEAL® is available in 25 kg pails; 36 pails per pallet.

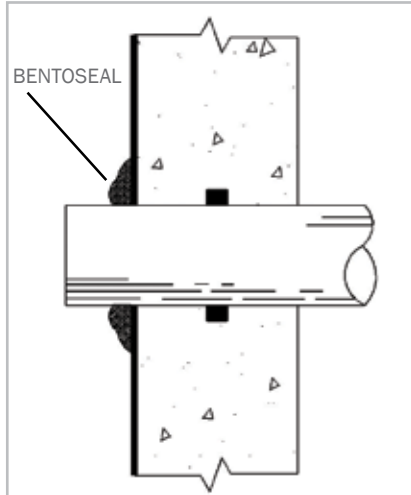
SHIPPING, STORAGE AND CLEAN UP

Ship BENTOSEAL® via sea or ground freight service. Do not ship BENTOSEAL® via air freight. Refer to MSDS for additional shipping information. Keep cans sealed at all times when not in use. Store above 4°C, in a dry storage area away from heat and flames. Clean tools with damp rag before mastic has cured.

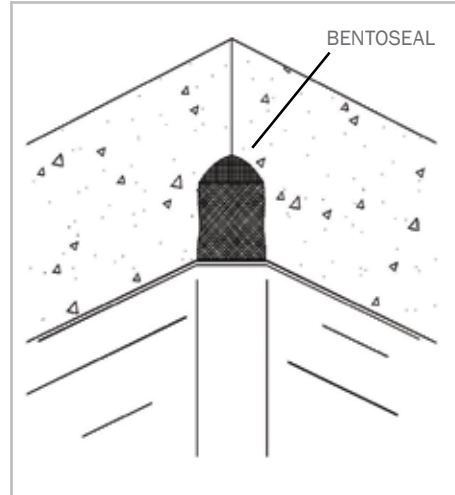
Workers should wear protective clothing and eye protection. Avoid eye and skin contact, particularly open cuts. In the event of contact with eye, wash immediately. Do not ingest. Refer to MSDS for other warnings and product safety information.

BENTOSEAL® TROWEL-GRADE SODIUM BENTONITE MASTIC

APPLICATION ILLUSTRATIONS



Penetrations



Inside corners

APPROXIMATE COVERAGE RATE GUIDE	
USAGE	TYPICAL COVERAGE
19 mm inside corner fillet	1.6 lnm / kg
As a 2.3 mm thick flashing material	0.3 sq.m / kg
19 mm inside corner fillet with 150 mm, 2.3 mm thick extensions	0.6 lnm / kg
2.3 mm by 100 mm wide termination lap fillet	3.0 lnm / kg